

TS03N

FEATURES

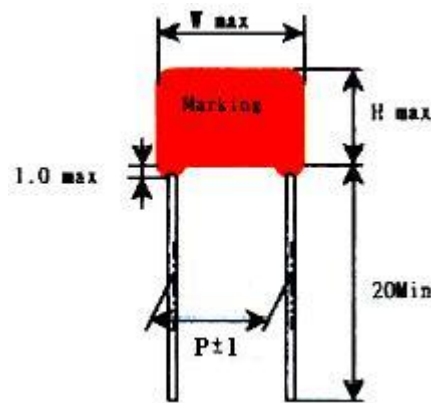
- Very small size, Epoxy coating, Flame retardant to UL94V-0
- Self-healing metallized polyester dielectric, Non-inductive construction
- High performance and efficiencies

APPLICATIONS

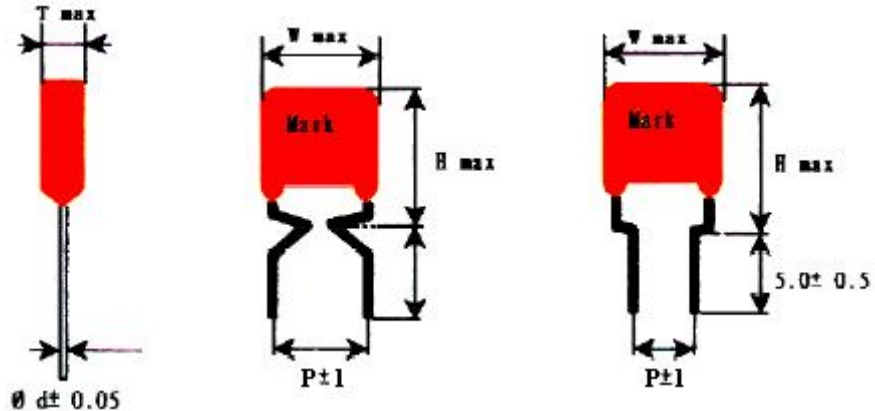
- Multi – purpose
- Blocking & coupling
- By-passing & filtering, Timing



• Straight lead



• Formed lead



S P E C I F I C A T I O N S	
Capacitance Range	0.001 μ F to 1.0 μ F
Operating temp. Range	-40 to +85°C (up to 100°C - derate voltage 1.25% per°C)
Rated Voltage	50/63, 100, 250, 400, 630, 1000V DC
Cap. Tolerance	\pm 5(J), \pm 10(K)
Tangent of Loss angle	0.008 or LESS (at 1KHz +25°C)
Insulation Resistance	Voltage Charge : 1 min at +25°C \pm 5°C 50 Vdc for Vr < 100Vdc, 100Vdc for Vr 100vdc 9,000 or more c 0.33 μ F 5000S or more c > 0.33 μ F
Voltage Proof	1.6 x Vr applied for 2sec +25°C \pm 5°C (Between Terminal)
Endurance	+85°C \pm 2°C, 1.25 x Vr, 1000Hr Cap Change : < \pm 5%, DF Change : < 50x10 ⁻⁷ at 1khz Insulation Resistance : < 50% of limit value
Damp Heat	+40°C \pm 2°C, 93% \pm 2%, 21days Cap Change : < \pm 5%, DF Change : < 50x10 ⁻⁷ at 1khz Insulation Resistance : < 50% of limit value
Construction	Non-inductive wound metallized polyester film Epoxy dipped encasement, Flame retardant to UL94V-0
Lead Material Color of Body Markings	Solder coated or Tinned solid wire Orange / Brown Capacitance, Tolerance, Voltage When space permits, Capacitor Type will be marked

TS03N

Capacitance	50V DC				63V DC				100V DC			
μF	W	T	H	P	W	T	H	P	W	T	H	P
0.001	7.8	4.2	6.7	5.0	7.8	4.2	6.7	5.0	7.8	4.2	6.7	5.0
0.0012	7.8	4.2	6.7	5.0	7.8	4.2	6.7	5.0	7.8	4.2	6.7	5.0
0.0015	7.8	4.2	6.7	5.0	7.8	4.2	6.7	5.0	7.8	4.2	6.7	5.0
0.0018	7.8	4.2	6.7	5.0	7.8	4.2	6.7	5.0	7.8	4.2	6.7	5.0
0.0022	7.8	4.2	6.7	5.0	7.8	4.2	6.7	5.0	7.8	4.2	6.7	5.0
0.0027	7.8	4.2	6.7	5.0	7.8	4.2	6.7	5.0	7.8	4.2	6.7	5.0
0.0033	7.8	4.2	6.7	5.0	7.8	4.2	6.7	5.0	7.8	4.2	6.7	5.0
0.0039	7.8	4.2	6.7	5.0	7.8	4.2	6.7	5.0	7.8	4.2	6.7	5.0
0.0047	7.8	4.2	6.7	5.0	7.8	4.2	6.7	5.0	7.8	4.2	6.7	5.0
0.0056	7.8	4.2	6.7	5.0	7.8	4.2	6.7	5.0	7.8	4.2	6.7	5.0
0.0068	7.8	4.2	6.7	5.0	7.8	4.2	6.7	5.0	7.8	4.2	6.7	5.0
0.0082	7.8	4.2	6.7	5.0	7.8	4.2	6.7	5.0	7.8	4.2	6.7	5.0
0.01	7.8	4.2	6.7	5.0	7.8	4.2	6.7	5.0	7.8	4.2	6.7	5.0
0.012	7.8	4.2	6.7	5.0	7.8	4.2	6.7	5.0	7.8	4.2	6.7	5.0
0.015	7.8	4.2	6.7	5.0	7.8	4.2	6.7	5.0	7.8	4.2	6.7	5.0
0.018	7.8	4.2	6.7	5.0	7.8	4.2	6.7	5.0	7.8	4.2	6.7	5.0
0.022	7.8	4.2	6.7	5.0	7.8	4.2	6.7	5.0	7.8	4.2	6.7	5.0
0.027	7.8	4.2	6.7	5.0	7.8	4.2	6.7	5.0	7.8	4.2	6.7	5.0
0.033	7.8	4.2	6.7	5.0	7.8	4.2	6.7	5.0	7.8	4.2	6.7	5.0
0.039	7.8	4.2	6.7	5.0	7.8	4.2	6.7	5.0	7.8	4.2	6.7	5.0
0.047	7.8	4.2	6.7	5.0	7.8	4.2	6.7	5.0	7.8	4.2	6.7	5.0
0.056	7.8	4.2	6.7	5.0	7.8	4.2	6.7	5.0	7.8	4.2	6.7	5.0
0.068	7.8	4.2	6.7	5.0	7.8	4.2	6.7	5.0	7.8	4.2	6.7	5.0
0.082	7.8	4.2	6.7	5.0	7.8	4.2	6.7	5.0	7.8	4.2	6.7	5.0
0.1	7.8	4.2	6.7	5.0	7.8	4.2	6.7	5.0	7.8	4.2	6.7	5.0
0.12	7.8	4.7	7.7	5.0	7.8	4.7	7.7	5.0	7.8	4.7	7.7	5.0
0.15	7.8	5.0	8.5	5.0	7.8	5.0	8.5	5.0	7.8	5.0	8.5	5.0
0.18	7.8	5.2	8.7	5.0	7.8	5.2	8.7	5.0	7.8	5.2	8.7	5.0
0.22	7.8	5.7	9.5	5.0	7.8	5.7	9.5	5.0	7.8	5.7	9.5	5.0
0.27	7.8	6.0	10.0	5.0	7.8	6.0	10.0	5.0	7.8	6.0	10.0	5.0
0.33	7.8	6.0	10.2	5.0	7.8	6.0	10.2	5.0	7.8	6.0	10.2	5.0
0.39	7.8	6.0	10.2	5.0	7.8	6.0	10.2	5.0	7.8	6.0	10.2	5.0
0.47	7.8	6.0	10.2	5.0	7.8	6.0	10.2	5.0	7.8	6.0	10.2	5.0
0.56	7.8	6.5	10.5	5.0	7.8	6.5	10.5	5.0	7.8	6.5	10.5	5.0
0.68	7.8	6.7	11.2	5.0	7.8	6.7	11.2	5.0	7.8	6.7	11.2	5.0
0.82	7.8	7.2	11.7	5.0	7.8	7.2	11.7	5.0	7.8	7.2	11.7	5.0
1	7.8	7.5	12.0	5.0	7.8	7.5	12.0	5.0	7.8	7.5	12.0	5.0
1.2	7.8	7.7	12.0	5.0	7.8	7.7	12.0	5.0	7.8	7.7	12.0	5.0

Note: Specification are subject to change without notice. For more detail and update, please visit our website.